



Technical Specifications:

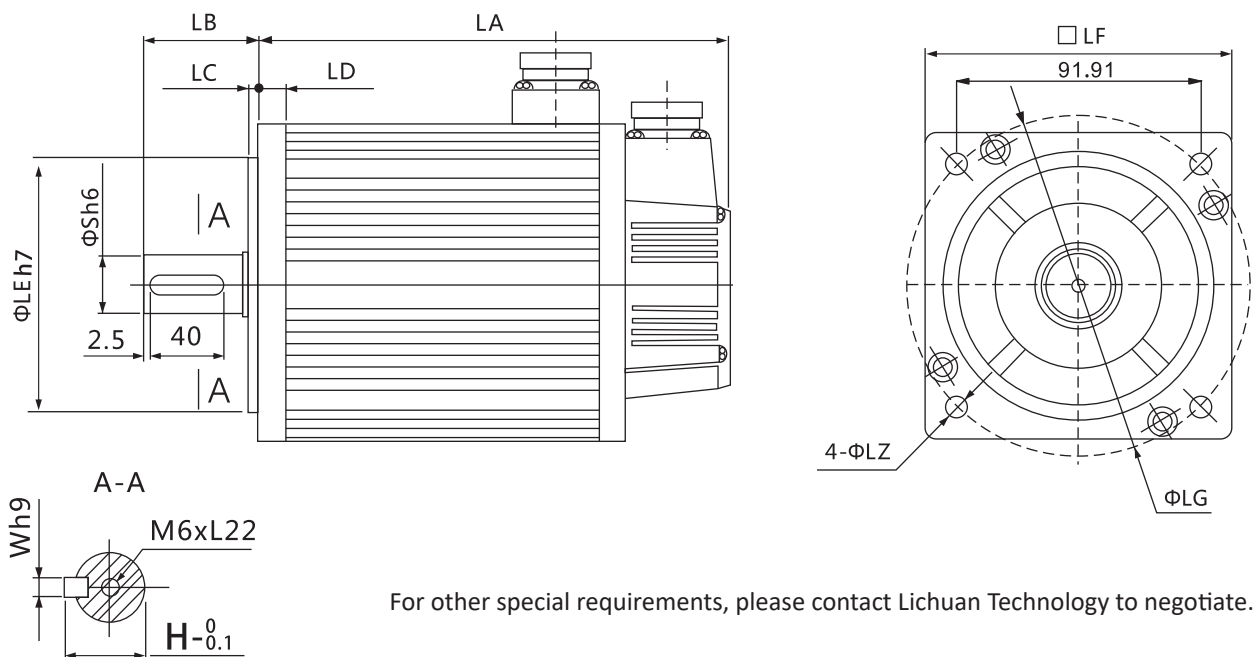
Motor model	LCMT-06L□□ -110M02030	LCMT-08L□□ -110M04030	LCMT-12L□□ -110M04030	LCMT-15L□□ 110M05030	LCMT-12L□□ -110M06020	LCMT-18L□□ -110M06030										
Rated power(KW)	0.6	0.8	1.2	1.5	1.2	1.8										
Rated voltage(V)	220	220	220	220	220	220										
Rated current (A)	2.5	3.5	5.0	6.0	4.5	6.0										
Rated speed(rpm)	3000	2000	3000	3000	2500	3000										
Holding torque(N.m)	2.0	4.0	4.0	5.0	6.0	6.0										
Peak torque(N.m)	6.0	12	12	15	12	18										
Voltage constant (V/1000r/min)	56	79	54	62	83	60										
Torque coefficient(N.m/A)	0.8	1.14	0.8	0.83	1.3	1.0										
Rotor inertia (Kg.m ²)	0.31 x 10 ⁻³	0.54 x 10 ⁻³	0.54 x 10 ⁻³	0.63 x 10 ⁻³	0.76 x 10 ⁻³	0.76 x 10 ⁻³										
Phase Resistance(Ω)	3.6	2.41	1.09	1.03	1.46	0.81										
Phase Inductance(mH)	8.32	7.3	3.3	3.43	4.7	2.59										
Mechanical time-constant (Ms)	2.3	3.0	3.0	3.33	3.2	3.2										
Weight(Kg)	4.5	5.2	5.5	6.1	6.7	6.7										
Encoder line number(PPR)	2500 / Absolute Value Encoder															
Insulation class	Class B(130°C)															
Safety class	IP65															
The operating of Environmental Conditions	Temperature:-20°C~ + 50°C Humidity: Below 90% RH No dewing															
Motor winding plug	Winding lead wire	U		V		W		PE								
	Plug serial number	2		3		4		1								
Encoder plug	Signal lead wire	5V	0V	A +	B +	Z +	A -	B -	Z -	U +	V +	W +	U -	V -	W -	PE
	Plug serial number	2	3	4	5	6	7	8	9	10	11	12	13	14	15	1

Installation Notes:

1. When installation/disassembly parts are at motor shaft end, do not hit the shaft with force, otherwise encoder on the other side of shaft may be damaged.
2. Try to avoid vibration of shaft base, otherwise shaft may be damaged.

110 Series				
Rated torque(N.m)	2.0	4.0	5.0	6.0
LA (Length)	159	189	204	219
LB (Shaft Length)	55	55	55	55
LC (Rabbit Depth)	5.0	5.0	5.0	5.0
LD (Flange Depth)	12	12	12	12
LE (Rabbit Diameter)	95	95	95	95
LF (Flange Size)	110	110	110	110
LG (Diagonal Pitch)	130	130	130	130
LZ (Installation Holes)	9.0	9.0	9.0	9.0
S (Shaft Diameter)	19	19	19	19
W (Key Slot Width)	6.0	6.0	6.0	6.0
H (Distance between Key to Shaft)	21.5	21.5	21.5	21.5
Length of Device with Band Brake	223	263	278	293

Appearance and Installation Dimensions (Unit: mm)



For other special requirements, please contact Lichuan Technology to negotiate.