

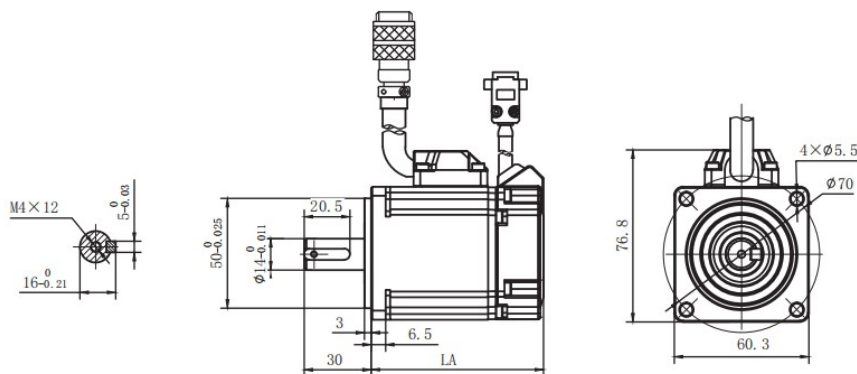
## DC Servo Motor Control Systems

60 series 5 pairs of poles servo motor DC servo motor contains 0.2KW 0.4KW rated power specifications, Based on our years of experience in servo motion control, we have developed low-voltage servo products that include three control methods: pulse type, CANopen bus, and RS485 bus. The drivers equipped with this low-voltage servo can be compatible with the vast majority of CANopen, pulse type, and RS485 BUS master station controllers in the market, and can support up to 31 driver networking, enabling multi axis high-speed bus synchronous control. The driver supports position mode, speed mode, torque mode, and zero return mode, with strong overload capacity, low noise, and fast response characteristics.

### Technical Specifications

Motor model	LCMT-02SLC02NB-60M00630DC	LCMT-04SLC02NB-60M01330DC
Rated power(KW)	0.2	0.4
Rated voltage(V)	48	48
Rated current (A)	6	10
Bated speed(rpm)	3000	3000
Holding torque(N.m)	0.637	1.27
Peak torque(N.m)	1.91	3.81
Voltage constant(V/1000r/min)	7.7	8.6
Torque coefficient (N.m/A)	0.106	0.127
Rotor inertia(Kg.m <sup>2</sup> )	0.3x10 <sup>4</sup>	0.53x10 <sup>4</sup>
Phase Resistance(Q)	0.63	0.39
Phase Inductance(mH)	1.12	0.72
Mechanical time-constant(Ms)	1.77	1.8
Weight(Kg)	1.0	1.4
Encoder line number(PPR)	2500	
Insulation class	Class B(130°C)	
Safety class	IP65	

### Appearance and Installation Dimensions (Unit: mm)



Specifications (Torque)	0.637N.m	1.27N.m
LA (Length)	77.2	93.7