

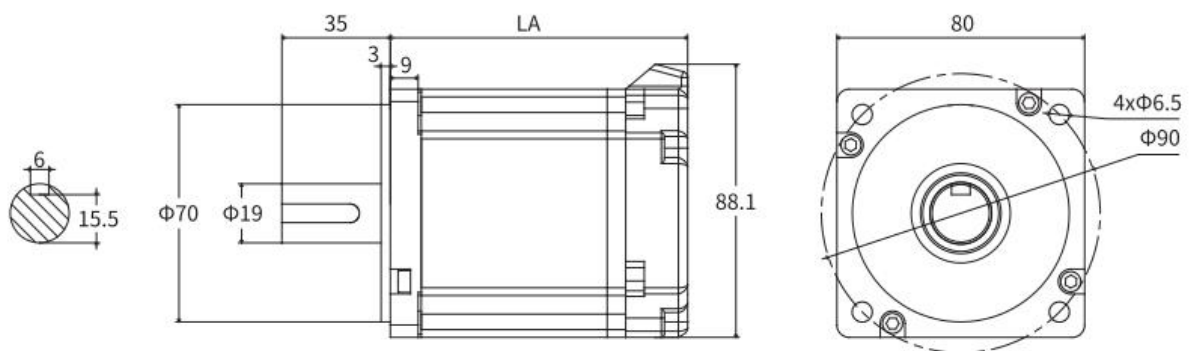
Lichuan AC servo motor Flange 80 series

Short introduction:

Lichuan 80 series AC servo motor contains 0.75KW, 1KW power specifications, the motor using the 17 bit / 23bit incremental or absolute 5 pairs of poles encoder, advanced magnetic circuit design and high temperature permanent magnet materials, servo motor running smoothly, the noise is minimal, suitable for industrial automation equipment, control precision applications.

Motor measurement:

Appearance and Installation Dimensions (Unit: mm)



Specifications (Torque)	2.39N.m	3.2N.m
LA (Length)	96	111
Length of Motor with Brake	133	133

Technical specification:

Motor model	LCMT-07SLC17NB 80M02430B	LCMT-10SLC17NB 80M03230B	LCMT-10SLC17NB 80M04025B
Rated power (KW)	0.75	1.0	1.0
Rated voltage (V)	220	220	220
Rated current (A)	4.5	5.8	5.8
Rated speed (rpm)	3000	3000	2500
Holding torque (N.M)	2.39	3.2	4
Peak torque (N.M)	7.17	7.96	7.96
Peak current (A)	13.5	15.6	15.6
Voltage constant (V/1000r/min)	32.8	32.5	32.5
Torque coefficient (N.M/A)	0.53	0.55	0.55
Rotor inertia(kg.m ²)	1.5×10 ⁻⁴	1.55×10 ⁻⁴	1.55×10 ⁻⁴
Phase Resistance (Ω)	1.2	1.17	1.17
Phase Inductance (mH)	4.2	3.9	3.9
Machanical time-constant (Ms)	3.5	3.33	3.33
Weight (Kg)	3.02	3.52	3.52
Encoder type	17bit incremental/ 17bit absolute/ 23bit absbsolute		
Insulation class	Class F		
Safety class	IP65		