

60W Single group rail type switching power supply most popular smps

Features:-universal AC input

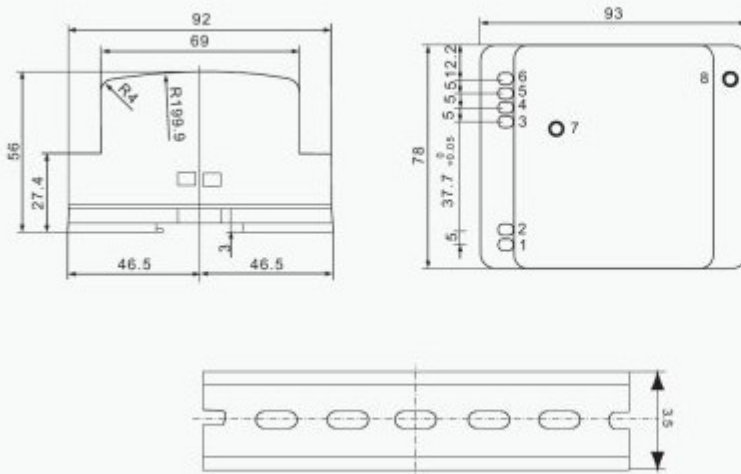
- Small volume,low weight,high efficiency
- Protections:short circuit/over load/over voltage
- cooling by free air convection
- can be installed on DIN rail: TS-35/7.5or TS-35/15
- LED indicator for power on
- 100% full load burn-in test
- 2 Year warranty

DATA sheet

Model		DR-60-5	DR-60-12	DR-60-24
output	DC voltage	5V	12V	24V
	Voltage tolerance	±2%	±1%	±1%
	Rated current	6.5A	4.5A	2.5A
	Current range	0~6.5A	0~3.5A	0~2.5A
	Rated power	32.5W	54W	60W
	Ripple&noise	100mvp-p	100mvp-p	150mvp-p
	DCvoltage ADJ.range	-9%~+10%	±10%	±10%
input	Voltage range	90~264VAC,127~373VDC		
	frequency	47~63HZ		
	AC current	1.2A/110VAC,0.65A/220VAC		
	efficiency	76%	82%	84%
	Inrush current	Cold start current 25A/115VAC,50A/230VAC		
	Leakage current	< 1mA/240VAC		
protection	Over load	Rated output power105%~150% start over load protection		
		protection type:hiccup mode,auto-recovery after fault condition is removed		
	over voltage	6.8~8.2V	15.6~17.8V	30.6~33.2V
		protection type:cut off output voltage,diode clamp		
environmen t	Working temp,humidity	-20°C~+60°C,20%~90%RH		
	Storagetemp,humidit y	-40°C~+85°C,10%~95%RH non-condensing		
	Withstand vibration	10~500HZ,2G 10min/1cycle,period for 60 minutes,each axes		

safety	Withstand voltage	I/P-O/P:3KVAC I/P-FG:1.5KVAC O/P-FG:0.5KVAC
	Isolated resistance	I/P-O/P,I/P-FG,O/P-FG:100M ohms/500VDC
Fitstandard	Safety standard	Fit UL1012
	EMC standard	comply with EN55022,CLASSA
others	Dimension	78*93*56mm (L*W*H)
	Weight/packing	0.3kg/45pcs/13.2KG
note	1. All parameters NOT specially mentioned are measured at 230VAC input, rated load and 25°C of ambient temperature. 2. Ripple & noise are measured at 20MHz of bandwidth by using a 12" twisted pair-wire terminated with a 0.1uf & 47uf parallel capacitor. 3. Tolerance : includes set up tolerance, line regulation and load regulation.	

Outline and dimension



Terminal Pin No. Assignment

Pin No.	Assignment	Pin No.	Assignment
1	AC/N	5, 6	-V
2	AC/L	7	LED
3, 4	+V	8	+VADJ.

