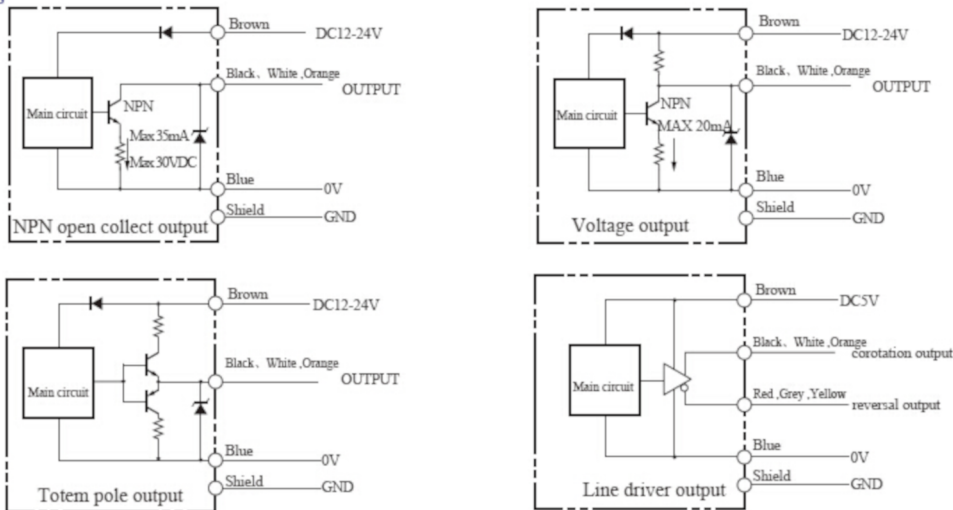


■ Specifications

Power supply	Voltage	DC 5V ±5% or DC 12~24V ±5%	INPUT AND OUTPUT	Response time	≤ 1μs
	Ripple wave	≤ 3%rms		NPN Open collector	Load current Max :30mA Residualvoltage :Max:0.4VDC
	Current consumption	≤ 60mA, DC 5V≤150mA		Totem Pole output	Load current Max 10mA output voltage (power supply 12-24VDC): min (power supply -3.0VDC)
Output phase	Signal	A B Z		Voltage output	Load current Max :10mA Residualvoltage :Max:0.4VDC
	Max Response frequency	100kHz		Line driver	low :load current :Max.30mA residual :max.0.5VDC High :load current :Max.-20mA residual :min 2.5VDC
	Max Speed	Max frequency ×60		Residual voltage	≤0.5V DC
	Duty ratio	50± 25%			
	Phase Width	25± 12.5%			
Signal Width	100± 50%				

Mechanical specification	Starting torque	≤ 0.01N· m (+20℃)	Ambient specification	Short-circuit protection	output and power supply	
	Rotor inertia	$0.3 \times 10^{-6} \text{ kg} \cdot \text{m}^2$		Ambient temperature	-10 ~ +70℃	
	Shaft loading	Radial		20N	Store temperature	-25 ~ +85℃
		Thrust		10N	Ambient humidity	35 ~ 85%RH
	Max revolution	5000rpm		Dielectric strength	500VAC 50/60Hz for 1 min	
	Cable	Material		PVC	Insulation resistance	≥ 50MΩ
		Length		2m	Vibration	0.75mm amplitude at 10-55Hz
		Diameter		Φ 5mm	Shock	Max 50G
	Weight	200g		Protection	IP54	

■ Connections



Cable color	Brown	Blue	Black	Red	White	Grey	Orange	Yellow	Shield
NPN open collect output	Vcc	OV	A	-	B	-	Z	-	G
Totem pole output	Vcc	OV	A	-	B	-	Z	-	G
Voltage output	Vcc	OV	A	-	B	-	Z	-	G
Line driver output	Vcc	OV	A	\bar{A}	B	\bar{B}	Z	\bar{Z}	G

■ Dimensions(unit:mm)

