

MCCB thermal magnetic trip

SDM6 MCCB thermal magnetic trip equips with intelligent controller as well, which not only makes its current adjustable but also grants protection against overload (long delay), short-circuit(short delay), short- circuit(instantaneous) & undervoltage, it'll certainly improve the entire power system's reliability, continuity & security.

Product Description

Type	Overload long delay setting current (IR) (0.8 ~ 1)In	Overload long delay (6 • IN) Fix buckle time	Short-circuit shorter delay tuning current (ISD)	Short-circuit shorter delay setting time (TSD)	Short-circuit transient tuning current (ID	Grounding Protection setting current (IG)	Grounding Protection Setting time (TG)	Thermal magnetic type (single adjustable)
SDM 6-100	(0.4 ~ 1)In	-	(1.5 ~ 10)Ir	-	10In	-	-	General Electronic (2.2)
SDM 6-160	(0.4 ~ 1)In	1.5 ~ 24s	(1.5 ~ 12)Ir	0s - 0.4s	(2 ~ 15)In	(30% - 100%) In	0s - 0.4s	LCD Intelligent Electronic (5.0A)
SDM 6-250	(0.4 ~ 1)In	1.5 ~ 24s	(1.5 ~ 12)Ir	0s ~ 0.4s	(2 ~ 15)In	(30% - 100%) n	0s ~ 0.4s	Voltage measurement type (5.0E)
SDM 6-160 SDM 6-250	(0.8 ~ 1)In	-	-	-	(5 ~ 10)In	-	-	Thermal magnetic type (Dual adjustable)
SDM 6-400 SDM 6-630	(0.8 ~ 1)In	-	-	-	(5 ~ 10)In	-	-	Thermal magnetic type (Dual adjustable)
	(0.4 ~ 1)In	-	(1.5 ~ 10)Ir	-	10In	-	-	General Electronic (2.2)
	(0.4 ~ 1)In	1.5 ~ 24s	(1.5 ~ 12)Ir	0s ~ 0.4s	(2 ~ 15)In	(30% ~ 100%) In	0s ~ 0.4s	LCD Intelligent Electronic (5.0A)

	(0.4 ~ 1)In	1.5 ~ 24s	(1.5 ~ 12)Ir	0s ~ 0.4s	(2 ~ 15)In	(30% ~ 100%) In	0s ~ 0.4s	Voltage measurement type (5.0E)
SDM 6-1250 SDM 6-1600	(0.4 ~ 1)In	-	(1.5 ~ 10)Ir	-	10In	-	-	General Electronic (2.2)
	(0.4 ~ 1)In	0.5 ~ 24s	(1.5 ~ 12)Ir	0s ~ 0.4s	(2 ~ 15)In	(30% ~ 100%) In	0s ~ 0.4s	LCD Intelligent Electronic (5.0A)
	(0.4 ~ 1)In	0.5 ~ 24s	(1.5 ~ 12)Ir	0s ~ 0.4s	(2 ~ 15)In	(30% ~ 100%) In	0s ~ 0.4s	Voltage measurement type (5.0E)

SDM6 MCCB thermal magnetic trip complies to GB/T14048.2, IEC60947-2 standards, with CCC.CE, TSE certificate approved.

RS485 interface, MODBUS-RTU protocol. With MODBUS modul equipped, customers can choose options as below. Remote signal: Switching ON/OFF, tripping, alarm & malfunctioning signal indication.

Remote control: Switching ON/OFF, reset. Remote test: 3-phase current & N-pole current, grounding current. Remote adjustment: accept and execute remote command to debug remote control. Tripping unit memory recording function, last three time, tripping records can be well traced. SDM6 circuit breaker also obtains isolation function (Can be used as an alternative load switch).

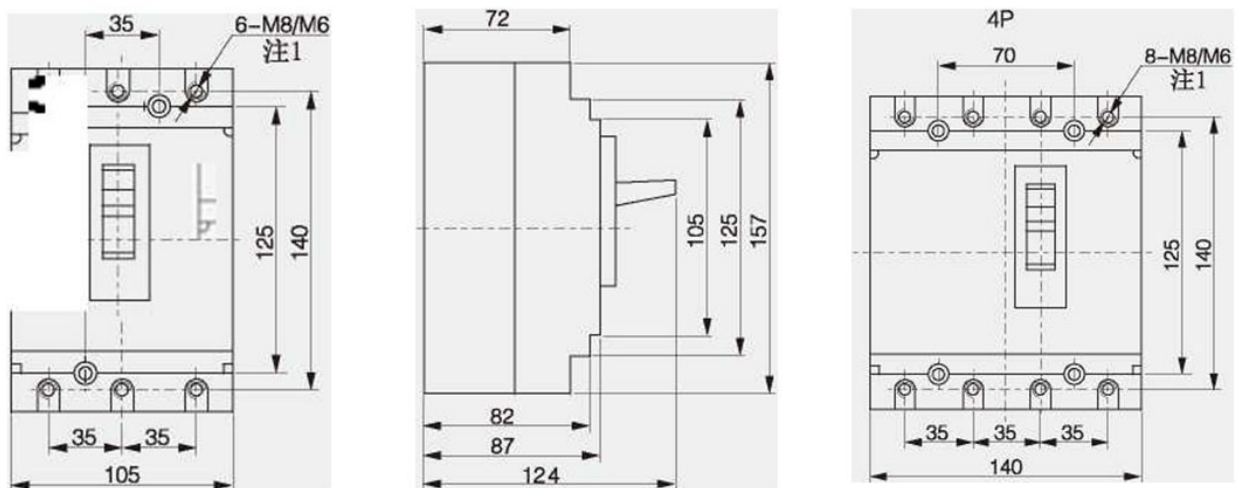
Normal work and installation conditions

1. The altitude of the installation site does not exceed 2000m;
2. The SDM6 100A MCCB thermal magnetic trip thermomagnetic type with temperature of the surrounding medium is -6 ~ +40 , and the average temperature of 24 h is not more than +35°C. The relative humidity of the air at the installation site does not exceed 50% at a maximum temperature of +40P; at lower temperatures, there may be a higher relative humidity; the average minimum temperature of the wettest month does not exceed +25 °C for the average of the month The maximum relative humidity is not more than 90%, and the condensation on the surface of the product due to temperature changes is considered.
3. SDM6 100A MCCB thermal magnetic trip intelligent type with temperature of the surrounding medium is -40 ~ +80
4. The product is used in non-explosive hazardous media, and the media does not have enough to corrode metals and destroy insulating gases and conductive dust.
5. In places where there is rain protection and no water vapor.
6. The installation category is Class III.
7. The pollution level is level 3.

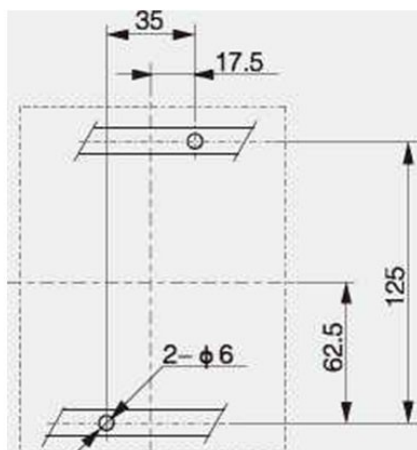
8. The basic installation of the circuit breaker is vertical (ie vertical) or horizontal (ie horizontal).
9. The incoming line is either the up line or the down line.
10. 100A MCCB thermal magnetic trip can be divided into fixed and plug-in types.

SDM6 MCCB thermal magnetic trip Series Plastic shell circuit Breaker, is the company's comprehensive use of international advanced technology design and development and obtained a number of patents of new products, with small compact, modular, high break, double breakpoints, 0 of flying arc, green environmental protection and other characteristics. Suitable for AC 50Hz, 60Hz, rated operating voltage 690V and below, rated current 12.5A to 1600A distribution network, used to distribute electrical energy and protection lines and power supply equipment from overload, short circuit and undervoltage failure hazards. It can also be used as a non-frequent conversion of the line under normal conditions and in the infrequent start of the motor.

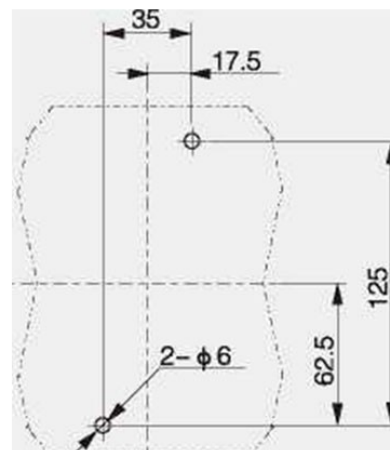
SDM6-100(160,250) Shape and installation dimensions



Attention 1: when in > 100A, Fixing screw size should be M8, When In < 100A, fixing screw size should be M6.



Product mounting hole size



Installed on leading rails

